

OSA 5021 IRIG Distribution

A compact, cost efficient, high quality IRIG distribution solution for OEM and integrators

OSA 5021 IRIG Distribution

A compact, cost efficient, high quality IRIG distribution solution for OEM and integrators

Oscilloquartz proudly announces the addition of a new compact 5021 IRIG distribution unit to its portfolio of cost efficient solutions for OEM and system integrators.

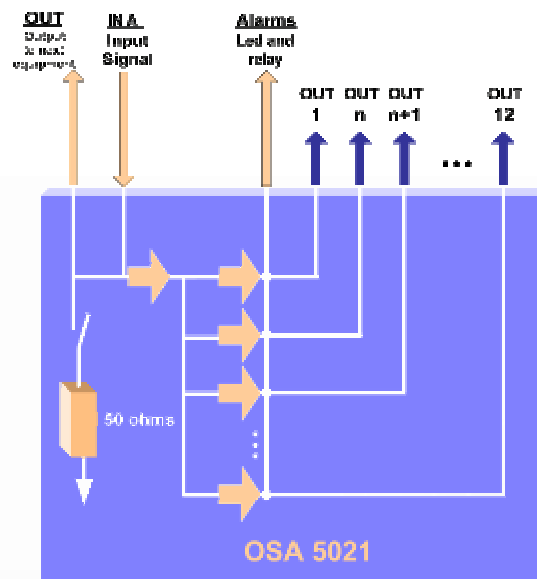
The OSA 5021 is specifically designed for applications where the IRIG distribution is important.

The OSA 5021 IRIG Distribution unit is very easy to install. The unit does not require any type of configuration as the output signals are direct image of input signal. The rack-mount unit is easily installed and smoothly integrates with existing equipment.



Highlights:

- Reliable, low cost, compact
- Code format: IRIG A, B, D, E, G and H
- 12 outputs
- BNC connectors for all inputs and outputs
- AC power supply (100-240 Vac)
- OSA 5021s can be placed in cascade to extend total output capacity



The leading partner for your synchronisation needs

Technical specifications 5021

Typical Applications

- Time and frequency distribution unit
- Any system requesting IRIG distribution unit



<p>Power supply:</p> <ul style="list-style-type: none"> ➤ AC Power supply: 100 to 240 VAC (47 - 63 Hz) ➤ Consumption: 10 W 	<p>Environmental characteristics:</p> <ul style="list-style-type: none"> ➤ Operating temperature: 0 to 55°C ➤ Storage temperature: -10° to +60°C ➤ Humidity: 0 to 95% non condensing
<p>Configuration and monitoring:</p> <ul style="list-style-type: none"> ➤ Configuration: None ➤ Monitoring: Alarm contact on Sub-D 9p connector (normally open or closed) 	<p>EMC, ESD & SAFETY - CE Mark</p> <ul style="list-style-type: none"> ➤ EMC, ESD: Certified to EN55022: 2005 and EN55024: 2005 Susceptibility to IEC 801 parts 2, 3, 4, 5 and 6 ➤ Safety: Conformance to EN60950: 2001
<p>Input specifications:</p> <ul style="list-style-type: none"> ➤ Connector: BNC female ➤ Code format: IRIG A, B, D, E, G & H ➤ Impedance: 50 ohms or not loaded (Selection by switch) ➤ Nominal level: < 6Vpp into 50 Ω ➤ Input qualification: Loss of signal-Level detection 	<p>Mechanical:</p> <p>Mounting: 19" rack mount</p> <p>Size: 43 x 484 x 310 mm (1U x 19" x 12")</p> <p>Weight: ~3kg (7 lbs) excluding packing</p> <p>Connector access: Rear</p>
<p>Output specifications:</p> <ul style="list-style-type: none"> ➤ Connector: BNC female ➤ Code format: IRIG A, B, D, E, G & H ➤ Gain: Unit ➤ Nominal level: < 6Vpp into 50 Ω ➤ Impedance: 50 Ω 	

Ed.01/March 2007/LLU

A COMPANY OF THE SWATCH GROUP

Oscilloquartz SA reserves the right to change all specifications contained herein at any time without prior notice.



The leading partner for your
synchronisation needs