

OSA 5135 Synchronization Distribution Unit

A compact, cost efficient, high quality synchronization distributor for OEM / integrators

Introduction

Oscilloquartz proudly announces the addition of a new compact 5135 Synchronization Distribution Unit to its portfolio of cost-efficient solutions for OEM and system integrators.

Digital broadcasting and mobile location services such as E911 can also take advantage of this compact and economical synchronisation solution.

Housed in a 2U high 19" subrack format, the OSA 5135 Synchronization Distribution Unit filters and distributes 1 input to 8 outputs individually configurable. It adds a holdover and filtering capability conform to G.812 Type II recommendation at a fraction of the cost of currently available solution.

Functions

The OSA 5135 Synchronization Distribution Unit incorporates an integrated highly accurate oven-controlled oscillator, which filters the received signal and provides a holdover quality typical of an SSU/BITS during an eventual loss of input signal.

The OSA 5135 Synchronization Distribution Unit can be managed by any Windows based PC connected to the equipment via an RS-232 connection and running the Configuration and Monitoring software (CMSW).

The CMSW application provides an intuitive, easy-to-use access for configuration and supervision.

The unit also provides an alarm relay contact allowing status monitoring from central management system.



Highlights

- Reliable, low cost, compact Synchronisation Distribution Unit
- 8 outputs individually configurable by switches
- Input: E1 or frequency (64kHz, 2.048, 5, 10 MHz)
- G.703 compliant E1 and 2.048 MHz outputs
- BNC connectors for all inputs and outputs
- Integrated high stability holdover functionality:
 - ITU-T G.812 (I, V, VI) compliant holdover
 - ITU-T G.812 (I, V, VI) filtering

OPTIONS: Following options can be provided upon request for quantity orders (please contact your OSA representative for availability and details):

- Special connectors and/or impedances
- Oscillator BVA, Rubidium options for holdover performances

Typical Applications

- Wireless and Wireline telecom synchronisation
- State and federal communication systems simulcast
- Specialised ATM and LAN/WAN synchronisation requirements
- Satellite ground stations equipment
- DAB and DVB broadcasting systems

OSA 5135 Synchronization Distribution Unit

A compact, cost efficient, high quality synchronization distributor for OEM / integrators

Typical Characteristics

Power supply:

- 20-60 VDC
- Consumption: < 17W during warm-up,
< 12,5W steady state 25°C

Configuration and Monitoring software:

- Runs on PC with Windows OS

Holdover performance:

- Long term stability: 1×10^{-10} /day, 2×10^{-8} /year*
- Frequency stability: 6×10^{-10} pp (-5°C to +55°C)

Input signals:

- E1
- 64kHz, 2.048, 5, 10 MHz: 0.5 Vrms sine, 50Ω

Output signals:

- 1 PPS: 200 ms width, rise time ≤ 20 ns, AC-MOS, 50 ohms
- 10 MHz, 1 Vrms sine, 50 ohms
- 2.048 MHz compliant to G.703-13, 75 ohms unbalanced
- 2.048 Mbps (E1) compliant to G.703-9, 75 ohms unbalanced



Management:

- RS-232C connector
- 1 x Relay contact

Environmental characteristics:

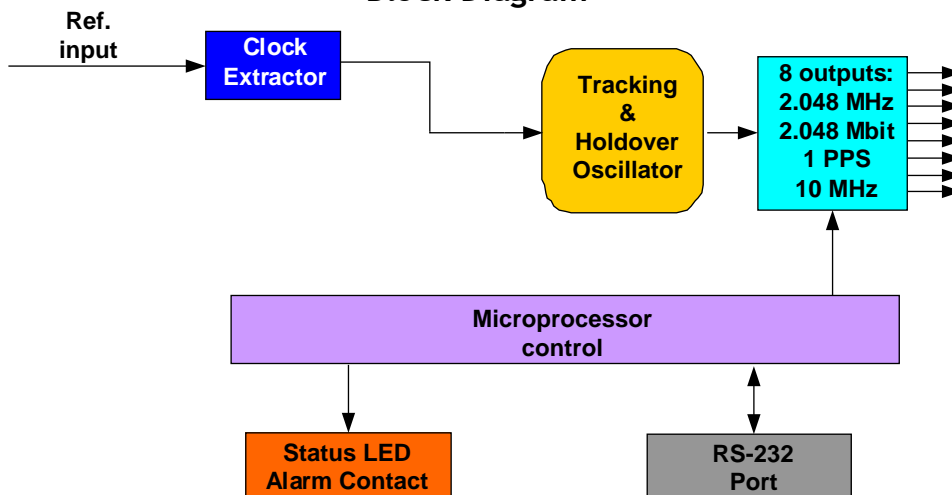
- Operational: -5°C to +55°C
- Storage: -40°C to +85°C
- Humidity: 95% non-condensing

Physical dimensions:

- H x W x D (mm): 89x483x280mm (3.5"x19"x11")

*after 30 days of continuous operation.

OSA 5135 Synchronisation Distribution Unit Block Diagram



Oscilloquartz SA reserves the right to change all specifications contained herein at any time without prior notice.

A COMPANY OF THE SWATCH GROUP

