

## M355 LED Line Frequency Display

Based on Time and Frequency Solutions' extensive experience in the measurement and display of line frequency, this display provides a clear indication of AC line frequency in digital format.

### Features

- Suitable for interior use
- Single-sided display
- Seven segment high-intensity LED digits
- Excellent readability through clear acrylic window
- Wall or desk mounting options available
- Range of colours and styles



These displays are suitable for interior applications where clearly presented line frequency is required. The displays are single-sided and indicate line frequency to 3 decimal places on 7 segment high intensity LED digits.

The use of these digits provides a highly readable indication of frequency for both daylight and night-time viewing.

The display can operate as a stand-alone unit, or alternatively it can distribute the measured line frequency via a range of available interfaces. Additionally it can be used as a remote display in conjunction with a Master Clock, which includes AC Measurement capability.

The display is constructed for internal use with a clear acrylic window for good readability. Each display can either be wall mounted or alternatively a desk mounting option is available.

A range of colours are available. Please contact our Sales Office for further details.

## Specifications

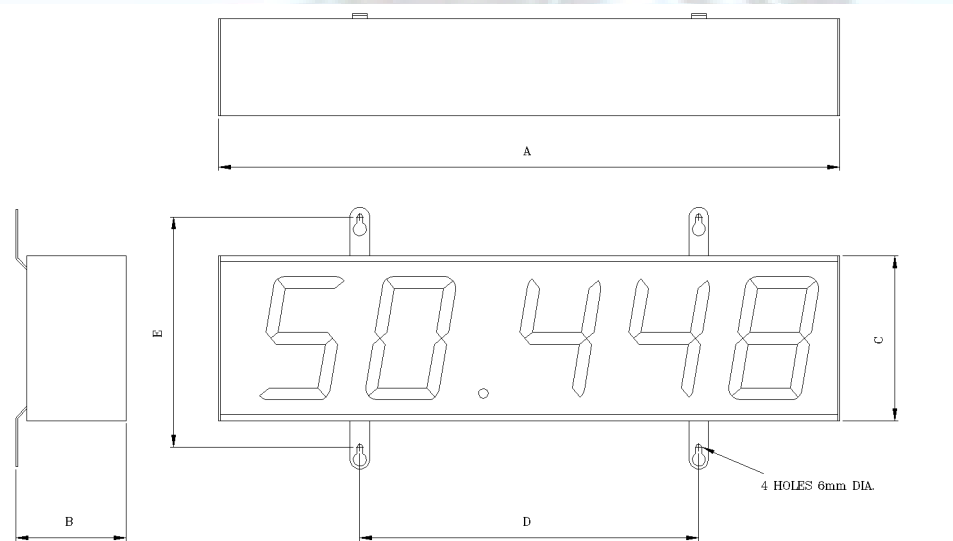
### General

Display Technology	:	7 Segment High Intensity LED.
Display Digit Colour	:	Red, Green or Yellow
Power	:	115/230V AC $\pm$ 10% 48-62Hz.
Line Frequency Measurement Input	:	110 - 240V AC $\pm$ 10% 48-62Hz
Measurement Accuracy	:	$\pm$ 0.001 Hz
Display Format resolution	:	Line Frequency to 3 decimal places
Data Interfaces	:	RS232/RS422/RS485 interfaces are provided for communication with a Master Clock/AC line Monitor
Data Output	:	RS232/RS422/RS485 interfaces are provided for output of AC Line Frequency Data

### Environmental (Operation & Storage)

Temperature:	0°C to +40°C.
Humidity:	Up to 95% RH (non-condensing)
EMC:	CE Compliant

### Dimensions:



Display Size	Digit Size	A (mm)	B (mm)	C (mm)	D (mm)	E (mm)	Weight (kg)	Power (W)
Large	100mm	634	93	136	400	200	3.8	30
Standard	60mm	366	93	82	161	150	3	30

As we are always seeking to improve our products, the information in this document only provides general indications of product capability, suitability and performance, none of which shall form any part of any contract.

Rev 2.0